

Barudan

PORTABLE TABLE TYPE
MONOGRAM MACHINE

MODEL **BEAT-IV**

PARTS LIST

BARUDAN CO., LTD.

ADDRESS 20-TSUKAGOSHI, JOSUJI
ICHINOMIYA-CITY · AICHI-PREF ·
JAPAN

TEL. <0586>76-1137
TELEX 4573268 BARUNA J
CABLE BARUNA ICHINOMIYA

TABLE TYPE • SIMPLE STYLE MONOGRAM MACHINE

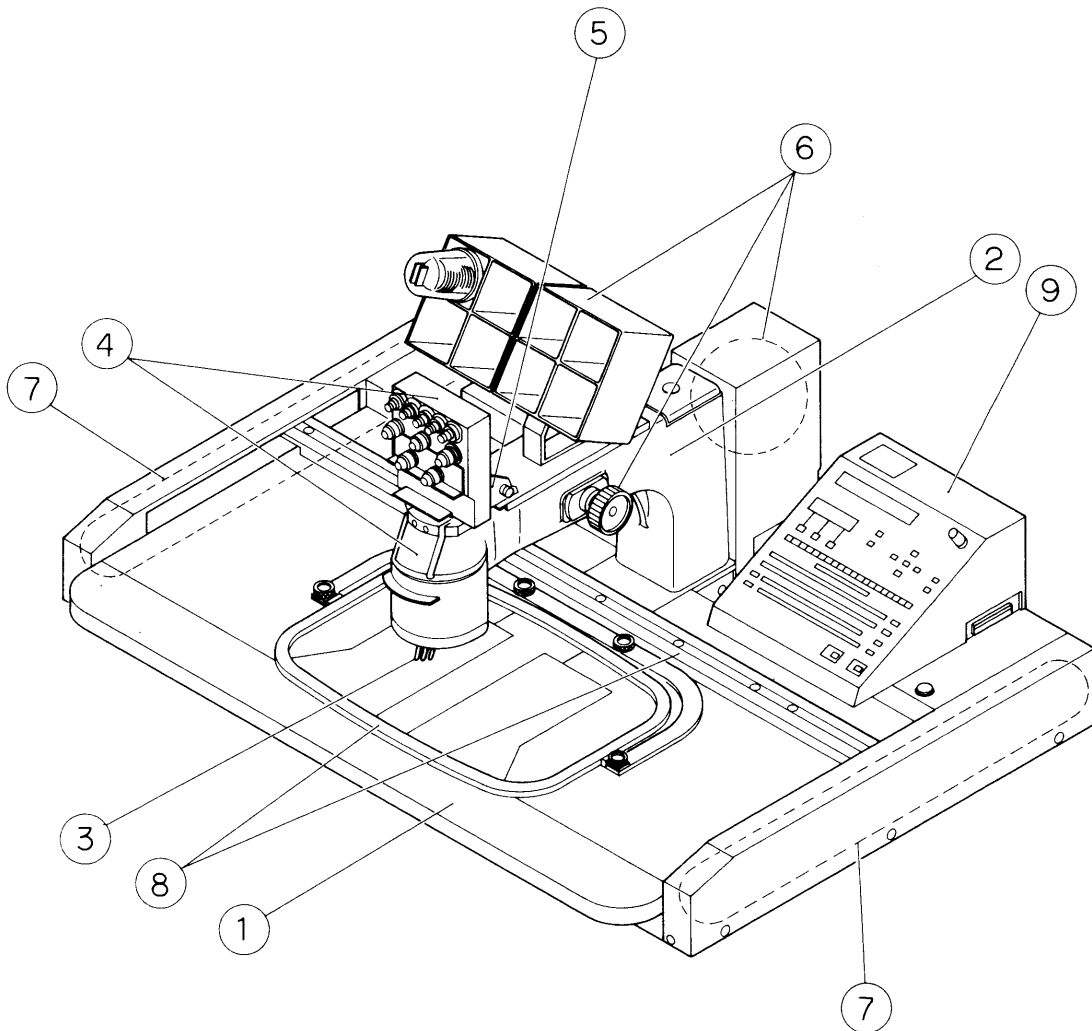
BEAT - 4

PARTS LIST

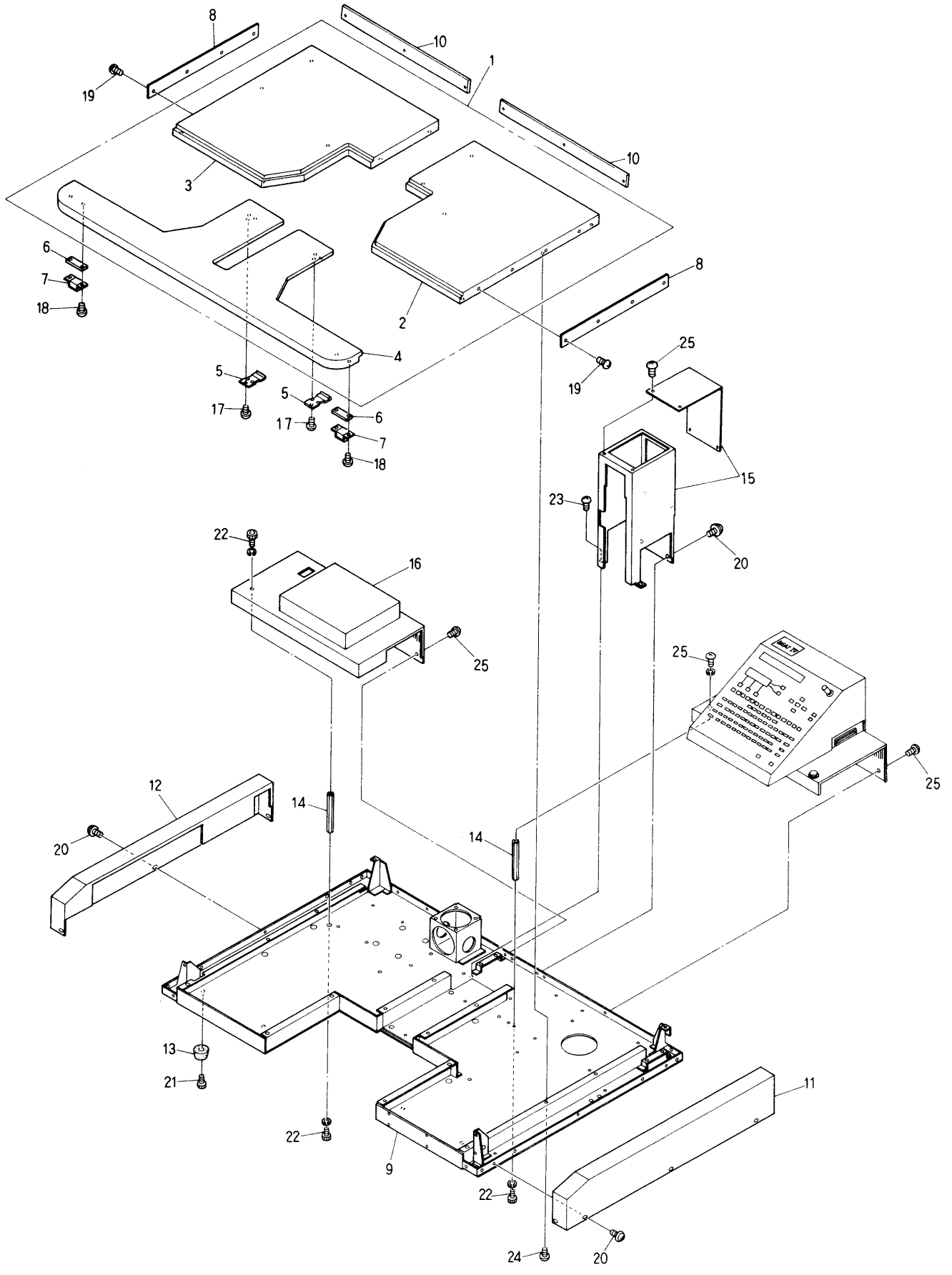
INDEX

ITEM No.	Page No.
Machine layout	1
① Frame • Table	2
② Sewing head	4
③ Needle bar • Take up lever mechanism	6
④ Thread guide mechanism (5-7)	8
⑤ Jamp mechanism	10
⑥ Drive mechanism and thread stand	12
⑦ Pantograph drive mechanism (H)	14
⑧ Pantograph drive mechanism (V)	16
⑨ Control system	18

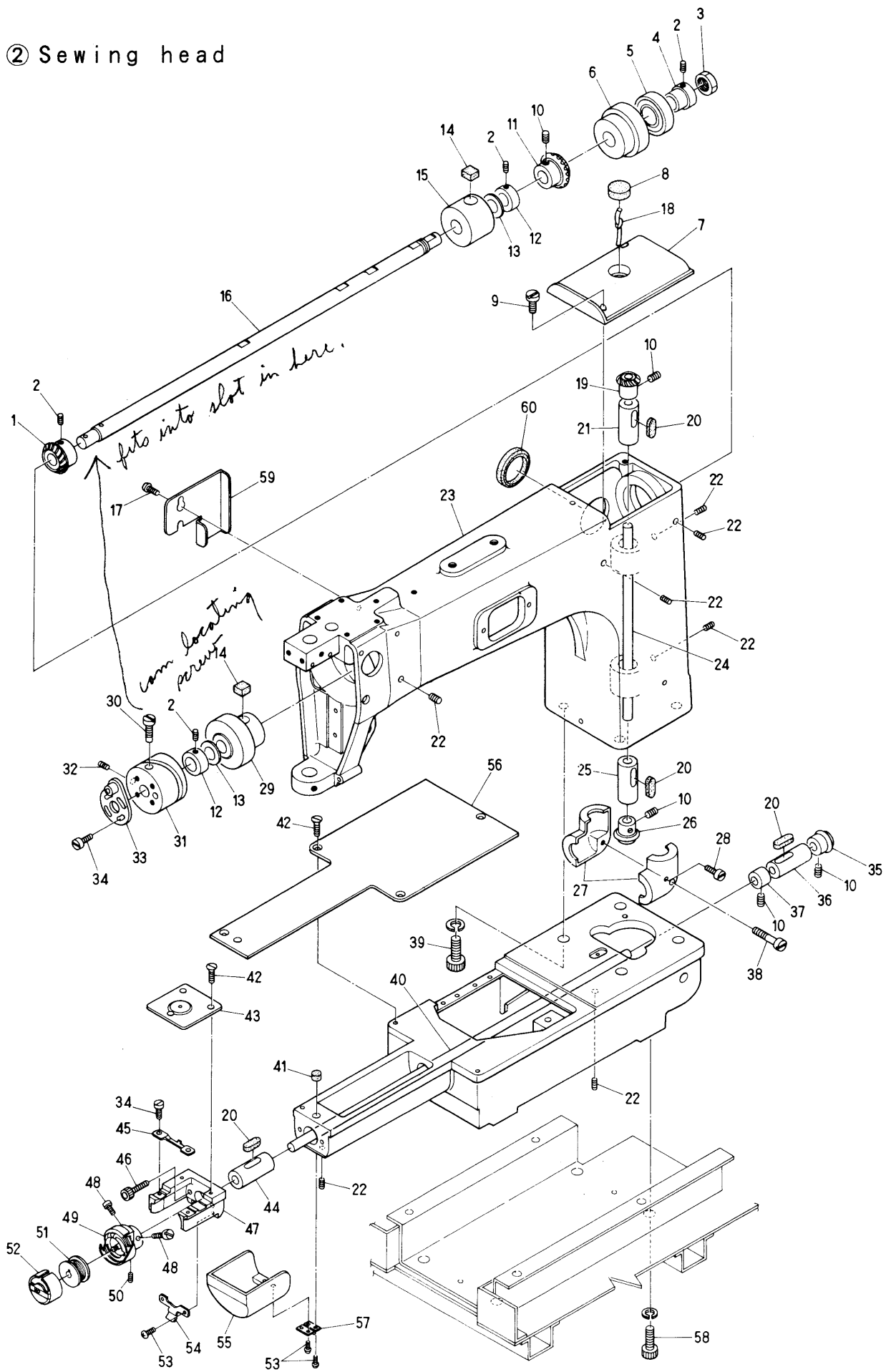
Machine layout



① Frame • Table



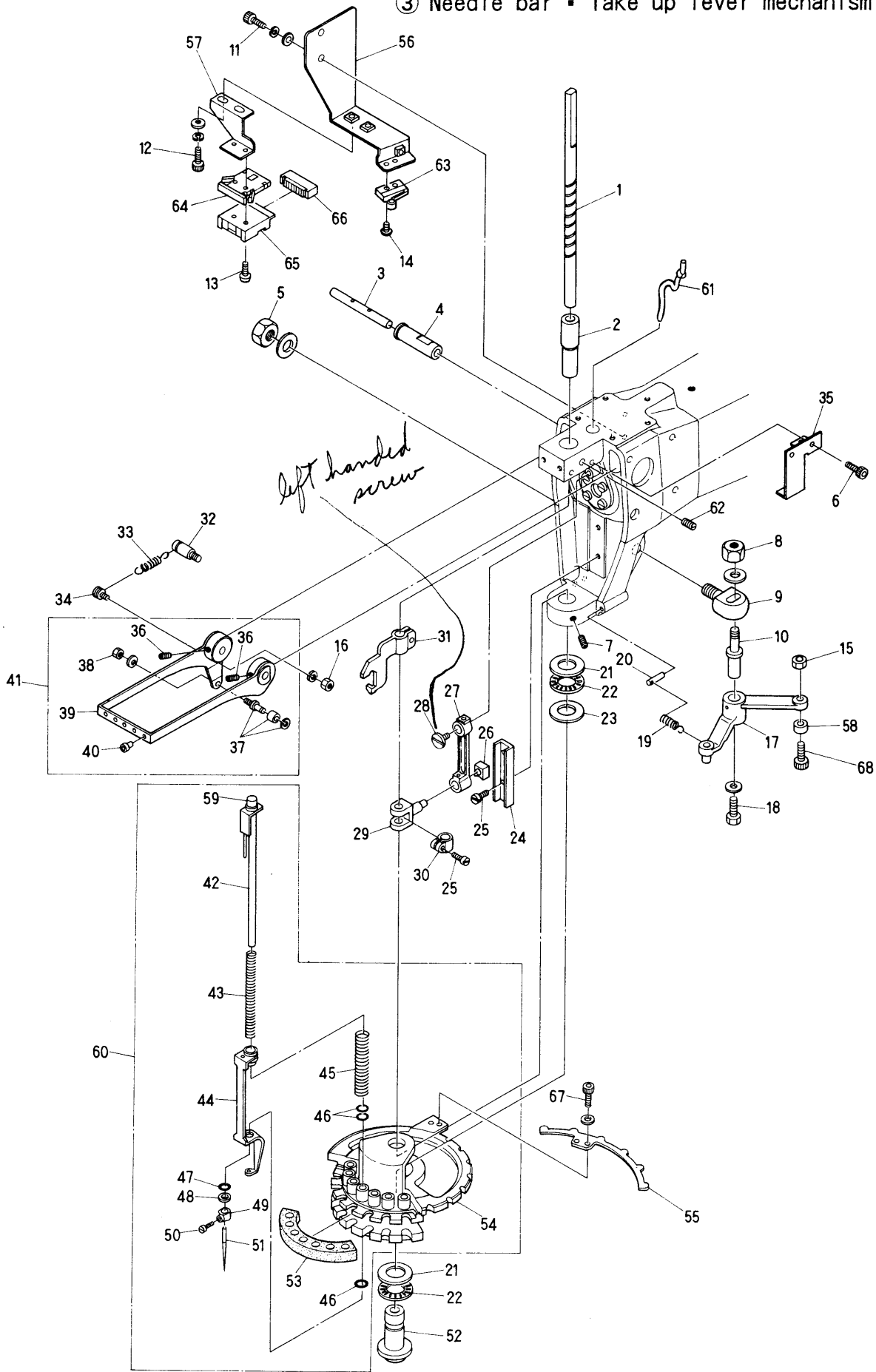
② Sewing head



② Sewing head

ITEM	PART No.	LIST No.	DESCRIPTION	Q'TY	REMARK
1	29444Y0	MY 2 9 4 4 4 0	Handle gear No.1	1	
2			Hex. socket set screw M6×6		
3	2211L00	KL 2 2 0 1 1 0	Arm shaft adjusting nut M4	1	
4	2209L00	KL 2 2 0 0 9 0	Arm shaft bearing collar (Rear)	1	
5	91017	A 9 0 1 0 0 1 7	Bearing (6004ZZ)	1	
6	2204L00	KL 2 2 0 0 4 0	Arm shaft bearing case	1	
7	29460Y0	MY 2 9 4 6 0 0	Arm top cover	1	
8	2215L00	KL 2 2 0 1 5 0	Oil felt D	1	
9			Binding screw M4×10		
10			Screw (SM1/4 40×4)		
11	2213F	KF 2 2 0 1 3 0	Bevel gear (Top shaft)	1	
12	2208L00	KL 2 2 0 0 8 0	Arm shaft collar	2	
13	23D9P00	HP 2 3 1 3 9 0	Thrust washer	2	
14	2213L00	KL 2 2 0 1 3 0	Oil felt B	2	
15	2203L00	KL 2 2 0 0 3 0	Arm shaft metal (Middle)	1	
16	2200L00	KL 2 2 0 0 0 0	Arm shaft	1	
17			Binding screw M4×8		
18			Oil core	1	
19	2246F	KF 2 2 0 4 6 0	Bevel gear (Vertical shaft upper)	1	
20	2214L00	KL 2 2 0 1 4 0	Oil felt C	4	
21	2205L00	KL 2 2 0 0 5 0	Arm shaft (upright) metal (upper)	1	
22			Hex. socket set screw		
23	29400Y0	MY 2 9 4 0 0 0	BEAT-4 Assy Head (7)	1	
	29401Y0	MY 2 9 4 0 1 0	BEAT-4 Assy Head (5)	1	
24	2201L00	KL 2 2 0 0 1 0	Arm shaft	1	
25	2206L00	KL 2 2 0 0 6 0	Arm shaft (upright) metal (Lower)	1	
26	2247F	KF 2 2 0 4 7 0	Bevel gear (Arm shaft (upright) lower)	1	
27	2227F	KF 2 2 0 2 7 0	Gear cover set	1	
28			Screw (SM15/64 28×24)		
29	2202L00	KL 2 2 0 0 2 0	Arm shaft metal (Front)	1	
30	2342F	KF 2 3 0 4 2 0	Cam set screw	1	
31	2341N00	KN 2 3 0 4 1 0	Take up lever cam G	1	
32			Screw (SM15/64 28×10)		
33	2343N00	KN 2 3 0 4 3 0	90° Clamping	1	
34	91207	A 9 0 1 2 0 0 7	Screw	6	
35	2248F	KF 2 2 0 4 8 0	Bevel gear (Bottom shaft)	1	
36	2207L00	KL 2 2 0 0 7 0	Rotating hook shaft metal (Rear)	1	
37	2229F	KF 2 2 0 2 9 0	Rotating hook shaft collar	1	
38			Screw (SM9/32 20×38)		
39			Hex. socket bolt		
40	2221C	KC 2 2 0 2 1 0	Rotating hook shaft	1	
41	2212L00	KL 2 2 0 1 2 0	Oil felt (A)	1	
42	2590F	KF 2 5 0 9 0 0	Throat plate (SM11/64 40×7)	6	
43	2513A01	MA 2 5 0 1 3 1	Throat plate	1	
44	2223F	KF 2 2 0 2 3 0	Rotating hook shaft metal (Front)	1	

③ Needle bar - Take up lever mechanism

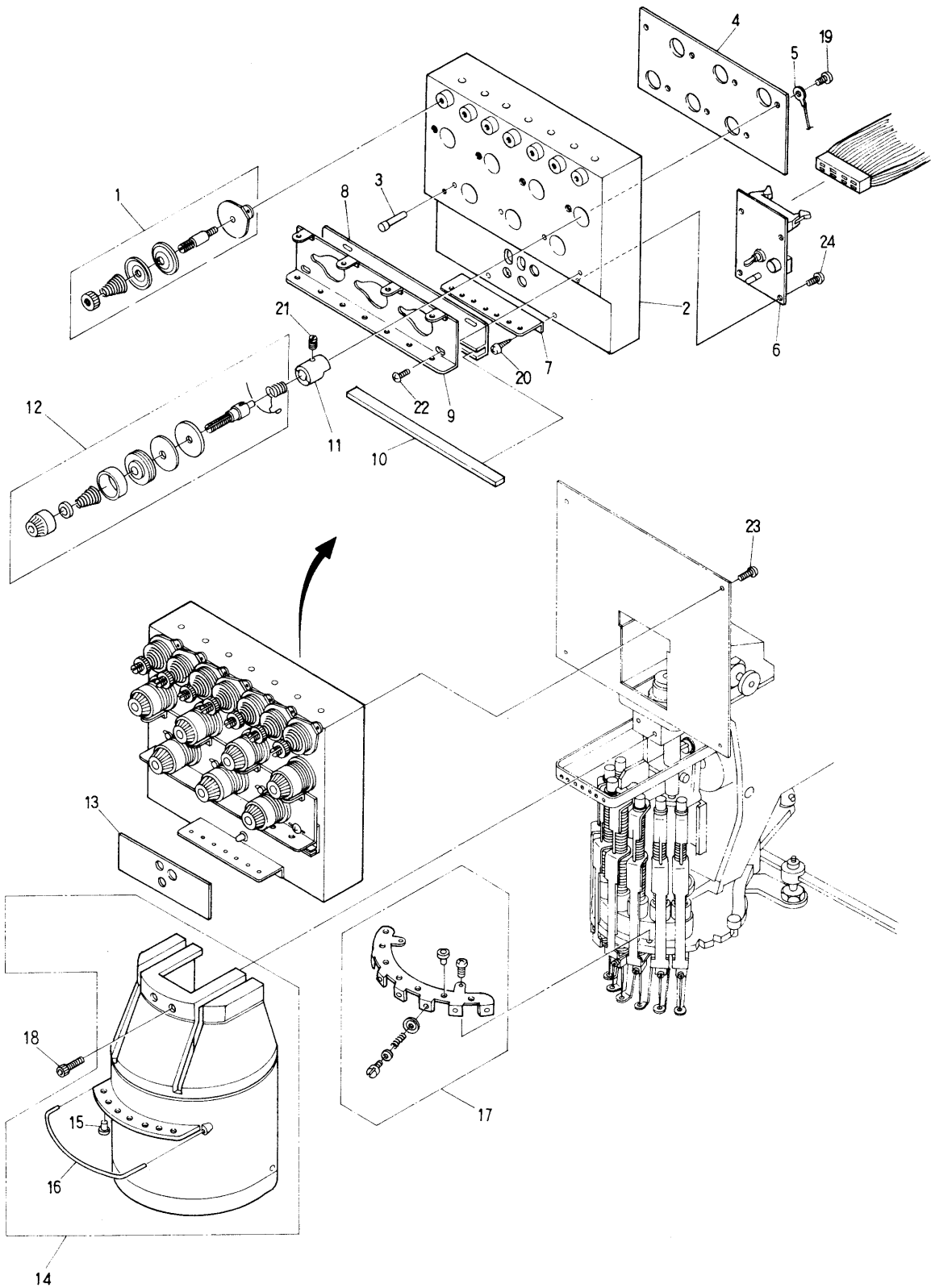


③ Needle bar ▪ Take up lever mechanism

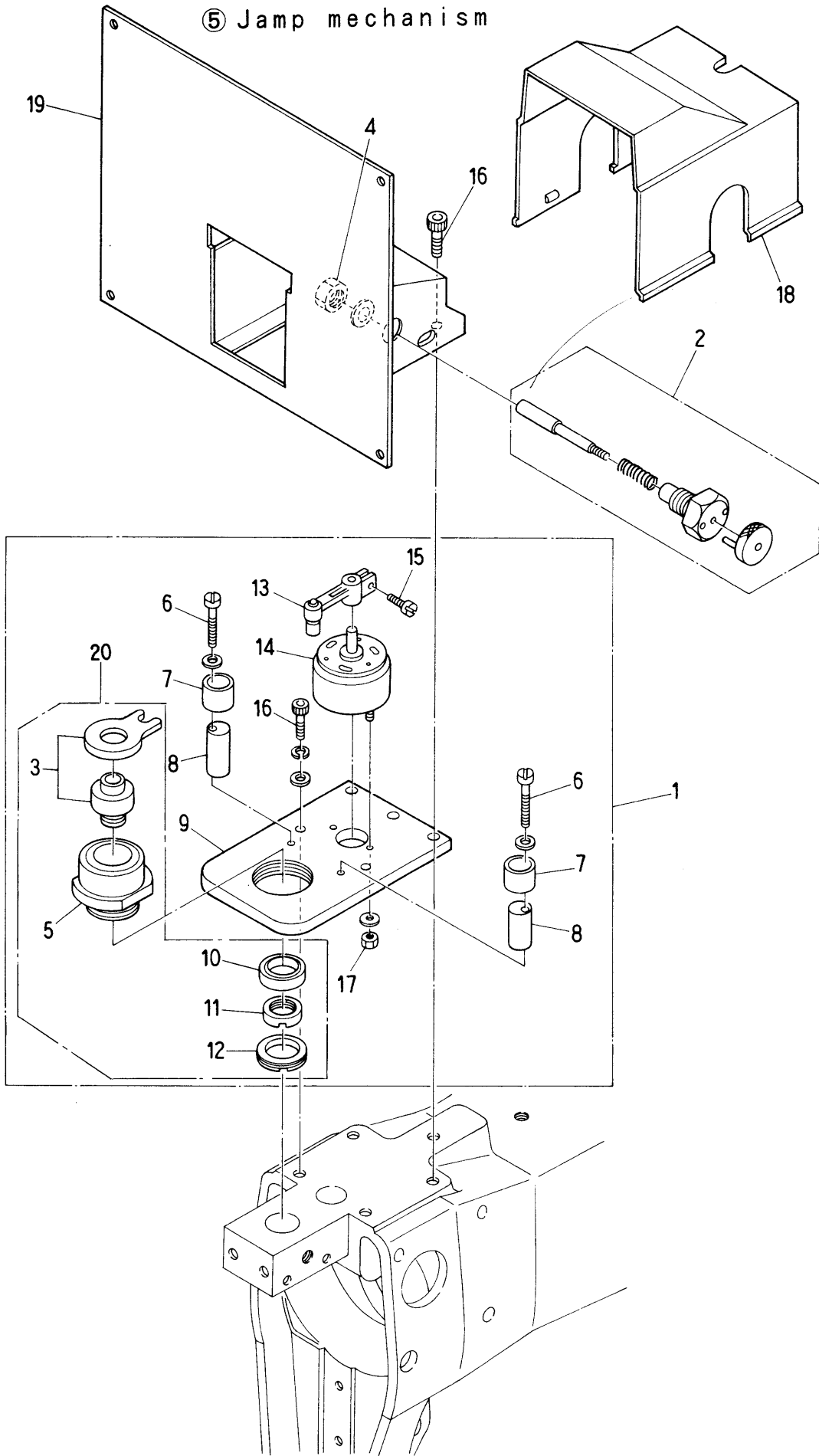
(N=Needle Qty)

ITEM	PART No.	LIST No.	DESCRIPTION	QTY	REMARK
1	2300L00	KL 2 3 0 0 0 0	Needle bar driver shaft	1	
2	2332F	KF 2 3 0 3 2 0	Driver shaft pipe (upper)	1	
3	2351F02	KF 2 3 0 5 1 2	Take up lever shaft	1	
4	2352F01	KF 2 3 0 5 2 1	Take up lever metal	1	
5			Hex. nut M10		
6			Hex. socket bolt M4×8		
7			Hex. socket set screw M6×0.75×8		
8			Hex. nut M8		
9	2365F	KF 2 3 0 6 5 0	Lock lever bracket	1	
10	2363F	KF 2 3 0 6 3 0	Lock lever shaft	1	
11			Hex. socket bolt M4×10		
12			Hex. socket bolt M4×8		
13			Binding screw M3×6		
14			Pan screw M2×8		
15			Hex. nut M6		
16			Hex. nut M4		
17	2361G	KG 2 3 0 6 1 0	US Lock lever	1	
18			Hex. bolt M5×10		
19	2315L00	KL 2 3 0 1 5 0	Lock lever spring	1	
20	2367F	KF 2 3 0 6 7 0	Lock lever spring pin	1	
21	91123	A 9 0 1 1 0 2 3	Thrust bearing outer (GS1528)	2	
22	91121	A 9 0 1 1 0 2 1	Thrust bearing (NTB-1528)	2	
23	91122	A 9 0 1 1 0 2 2	Thrust washer (AS-1582)	1	
24	23D1P00	HP 2 3 1 3 1 0	Guide rail	1	
25			Screw (SM9/64 40×8)		
26	23D7P00	HP 2 3 1 3 7 0	Square ball	1	
27	23D0P01	HP 2 3 1 3 0 1	Clank rod	1	
28	2345F	KF 2 3 0 4 5 0	90° Clank	1	
29	23C9P00	HP 2 3 1 2 9 0	Needle bar driving fork	1	
30	2348F	KF 2 3 0 4 8 0	Needle shaft clamp	1	
31	2314L00	KL 2 3 0 1 4 0	Needle bar driver	1	
32	2302L00	KL 2 3 0 0 2 0	Take up lever spring shaft	1	
33	2303L00	KL 2 3 0 0 3 0	Take up lever spring	1	
34	2301L00	KL 2 3 0 0 1 0	Take up lever spring	1	
35	2317L00	KL 2 3 0 1 7 0	Oil core bracket	1	
36			Hex. socket set screw M5×6		
37	2350F	KF 2 3 0 5 0 0	Take up lever roller assy	1	
38			Hex. nut 7/32		
39	2307L00	KL 2 3 0 0 7 0	Take up lever (SRE-7)	1	
	2308L00	KL 2 3 0 0 8 0	Take up lever (SRE-5)	1	
40	2358F	KF 2 3 0 5 8 0	Ceramic thread guide	N×1	
41	2319L00	KL 2 3 0 1 9 0	Take up lever Assy (SRE-7)	1	
	2320L00	KL 2 3 0 2 0 0	Take up lever Assy (SRE-5)	1	
42	2301F	KF 2 3 0 0 1 0	Needle bar set	N×1	
43	2318F	KF 2 3 0 1 8 0	Needle bar spring	N×1	

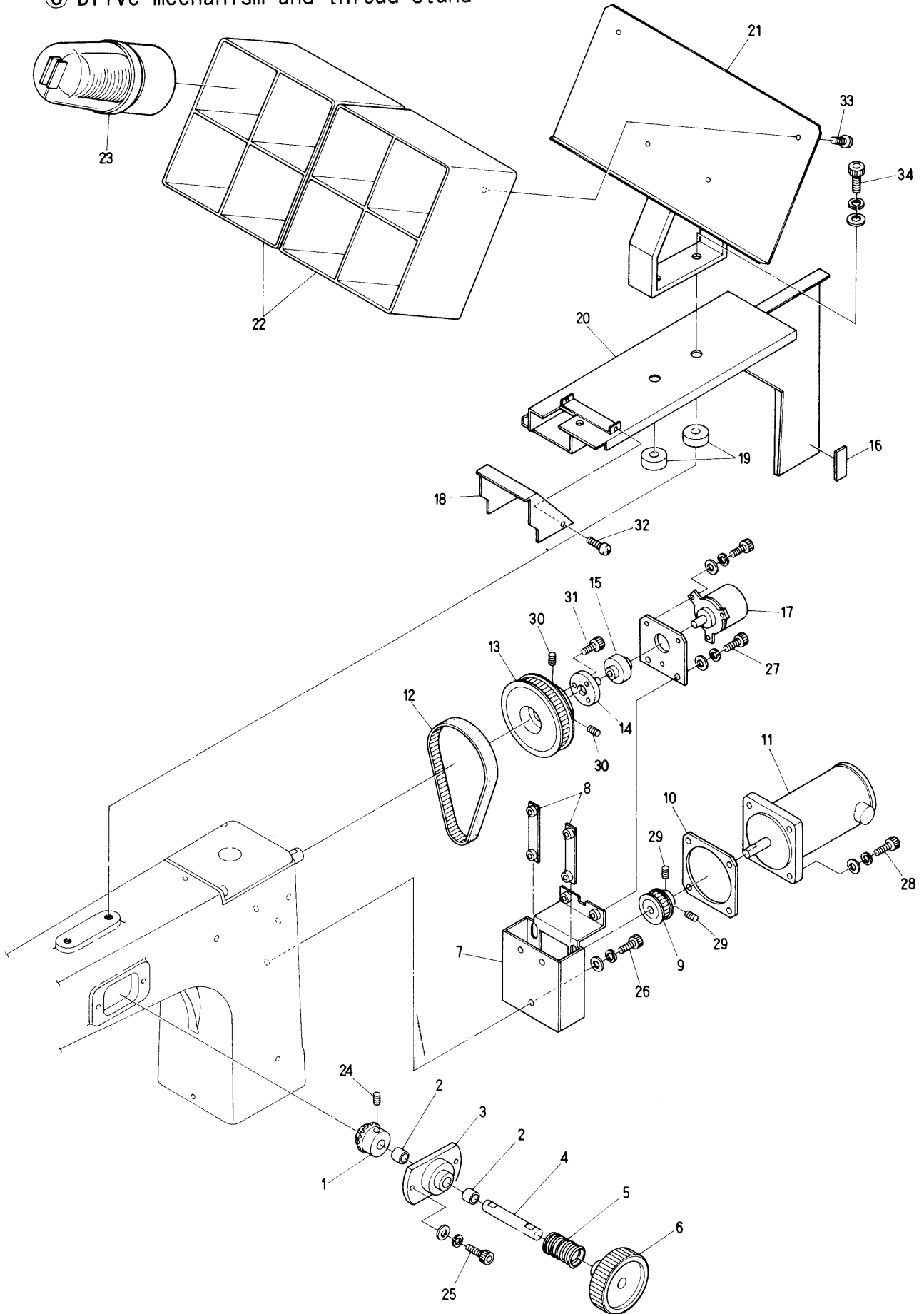
④ Thread guide mechanism (5-7)



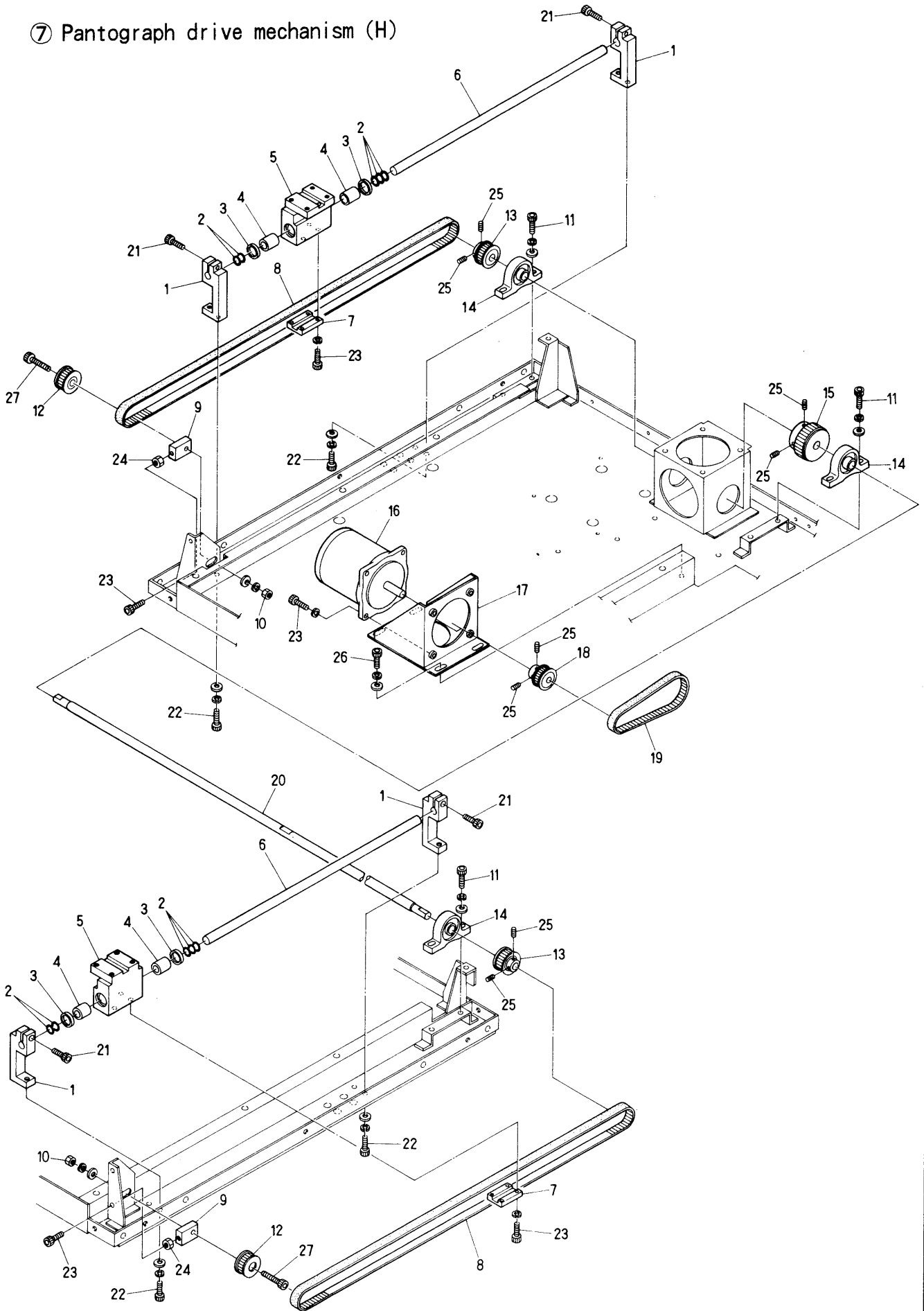
⑤ Jamp mechanism



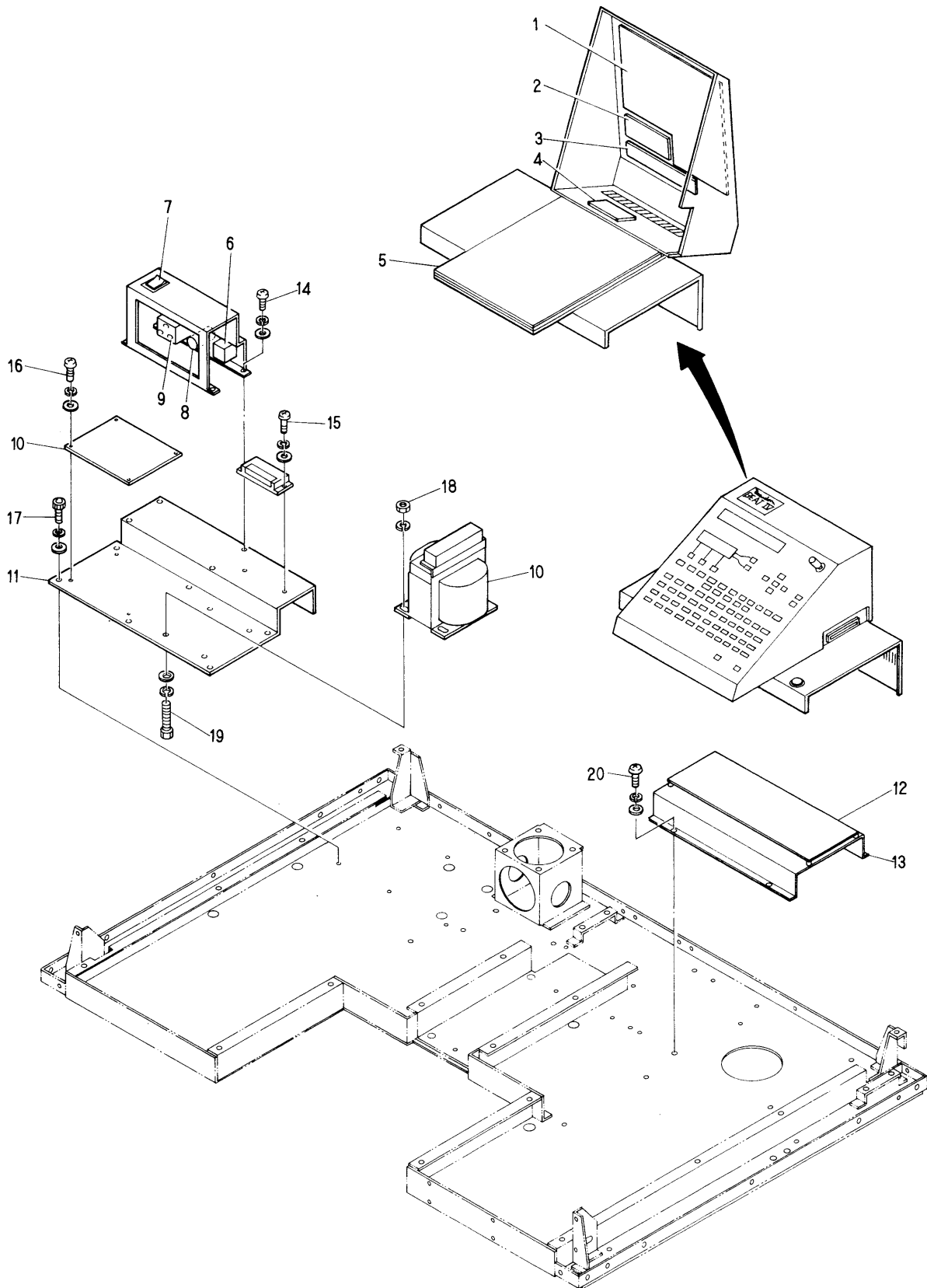
⑥ Drive mechanism and thread stand



⑦ Pantograph drive mechanism (H)



⑨ Control system



I N D E X

L I S T No.	PART No.	PAGENO.	ITEM	L I S T No.	PART No.	PAGENO.	ITEM
A 9 0 1 0 0 0 9	91009	1 1	1 0	HP 2 4 0 0 2 0	2402P00	1 1	1
A 9 0 1 0 0 1 7	91017	5	5	HP 2 4 1 1 3 0	24B3P00	1 1	1 9
A 9 0 1 0 0 3 2	91032	1 7	9	HP 2 4 1 1 4 0	24B4P00	1 1	1 9
A 9 0 1 1 0 2 0	91120	1 5	1 4	HP 2 4 1 1 5 0	24B5P00	9	1 1
A 9 0 1 1 0 2 1	91121	7	2 2	HP 2 4 1 1 6 0	24B6P00	9	3
A 9 0 1 1 0 2 2	91122	7	2 3	HP 2 4 1 1 7 0	24B7P00	9	9
A 9 0 1 1 0 2 3	91123	7	2 1	HP 2 4 1 1 8 0	24B8P00	9	9
A 9 0 1 1 1 0 3	911A3	1 5	4	HP 2 4 1 1 9 0	24B9P00	9	7
A 9 0 1 1 1 2 3	911C3	1 5	3	HP 2 4 1 2 0 0	24C0P00	9	7
A 9 0 1 2 0 0 7	91207	5	3 4	HP 2 4 1 2 1 0	24C1P00	1 1	1 8
A 9 0 1 2 0 2 7	91227	5	5 7	HP 2 4 1 3 7 1	24D7P01	9	4
A 9 0 1 2 0 7 7	91277	1 3	2	HP 2 4 1 3 8 1	24D8P01	9	4
A 9 0 1 2 1 7 4	912H4	3	7	HP 2 4 1 3 9 0	24D9P00	9	5
A 9 0 1 2 2 1 5	912L5	3	1 3	HP 2 4 1 4 1 0	24E1P00	9	1 2
A 9 0 1 3 0 6 0	91360	1 7	1 0	HP 2 4 1 4 5 0	24E5P00	9	8
A 9 0 1 4 0 6 3	91463	5	6 0	HP 2 4 1 4 6 0	24E6P00	9	8
A 9 0 1 5 0 6 0	91560	1 5	2	HP 2 4 1 4 7 0	24E7P00	9	1 0
A 9 0 2 0 1 2 1	920C1	1 5	8	HP 2 4 1 4 8 0	24E8P00	9	1 0
A 9 0 2 0 1 2 2	920C2	1 3	1 2	HP 2 5 0 0 5 0	2505P00	9	1 7
A 9 0 2 0 1 2 2	920C2	1 5	1 9	HP 2 5 0 5 8 1	2558P01	9	1 6
A 9 0 2 0 1 2 3	920C3	1 7	1 8	HP 7 1 1 3 6 0	71D6P00	1 3	2 3
A 9 0 6 4 0 0 3	96403	7	6 4	HP 7 1 1 3 7 0	71D7P00	1 3	2 2
A 9 0 6 4 0 0 4	96404	7	6 6	KC 2 2 0 2 1 0	2221C	5	4 0
A 9 0 6 4 0 0 5	96405	7	6 5	KC 2 5 0 4 7 1	2547C01	5	5 5
EBN 0 1 2 0 0	55X0010	1 3	1 1	KC 2 5 0 4 8 1	2548C01	5	5 4
EBN 0 1 2 1 0	55X0020	1 7	1 6	KC 4 5 0 1 1 0	4511C	7	6 3
EBN 0 1 2 2 0	55X0030	1 5	1 6	KC 5 1 0 2 4 0	5124C	1 3	1 5
EBN 0 1 2 2 0	55X0030	1 9	1 2	KF 2 2 0 1 3 0	2213F	5	1 1
EBN 0 1 2 4 0	55X0050	1 9	5	KF 2 2 0 2 3 0	2223F	5	4 4
EBN 0 1 2 5 0	55X0060	1 9	1	KF 2 2 0 2 7 0	2227F	5	2 7
EBN 0 1 2 8 0	55X0070	1 9	4	KF 2 2 0 2 9 0	2229F	5	3 7
EBN 0 1 2 9 0	55X0080	1 9	3	KF 2 2 0 4 1 0	2241F	5	5 1
EBN 0 1 3 0 0	55X0090	1 9	2	KF 2 2 0 4 4 0	2244F00	5	5 2
EBN 0 1 3 2 0	55X0110	1 9	1 0	KF 2 2 0 4 6 0	2246F	5	1 9
EBN 0 1 3 3 0	55X0120	1 9	7	KF 2 2 0 4 7 0	2247F	5	2 6
EBN 0 1 3 4 0	55X0130	1 9	9	KF 2 2 0 4 8 0	2248F	5	3 5
EBN 0 1 3 5 0	55X0140	1 9	6	KF 2 2 0 7 5 0	2275F00	5	4 9
EBN 0 1 3 6 0	55X0150	1 9	8	KF 2 2 0 7 8 0	2278F	5	4 9
EBN 0 1 3 7 0	55X0160	9	6	KF 2 3 0 0 1 0	2301F	7	4 2
HP 2 3 1 2 9 0	23C9P00	7	2 9	KF 2 3 0 1 5 0	2315F	7	5 9
HP 2 3 1 3 0 1	23D0P01	7	2 7	KF 2 3 0 1 8 0	2318F	7	4 3
HP 2 3 1 3 1 0	23D1P00	7	2 4	KF 2 3 0 2 1 0	2321F	7	4 5
HP 2 3 1 3 3 0	23D3P00	1 1	9	KF 2 3 0 2 3 0	2323F	7	4 9
HP 2 3 1 3 7 0	23D7P00	7	2 6	KF 2 3 0 2 4 0	2324F	7	5 0
HP 2 3 1 3 9 0	23D9P00	5	1 3	KF 2 3 0 2 5 0	2325F	7	5 1

I N D E X

L I S T No.	PART No.	PAGENO.	ITEM	L I S T No.	PART No.	PAGENO.	ITEM
K F 2 3 0 3 2 0	2332F	7	2	K L 2 2 0 1 3 0	2213L00	5	1 4
K F 2 3 0 4 2 0	2342F	5	3 0	K L 2 2 0 1 4 0	2214L00	5	2 0
K F 2 3 0 4 5 0	2345F	7	2 8	K L 2 2 0 1 5 0	2215L00	5	8
K F 2 3 0 4 8 0	2348F	7	3 0	K L 2 3 0 0 0 0	2300L00	7	1
K F 2 3 0 5 0 0	2350F	7	3 7	K L 2 3 0 0 1 0	2301L00	7	3 4
K F 2 3 0 5 1 2	2351F02	7	3	K L 2 3 0 0 2 0	2302L00	7	3 2
K F 2 3 0 5 2 1	2352F01	7	4	K L 2 3 0 0 3 0	2303L00	7	3 3
K F 2 3 0 5 8 0	2358F	7	4 0	K L 2 3 0 0 7 0	2307L00	7	3 9
K F 2 3 0 6 3 0	2363F	7	1 0	K L 2 3 0 0 8 0	2308L00	7	3 9
K F 2 3 0 6 5 0	2365F	7	9	K L 2 3 0 1 1 0	2311L00	7	5 3
K F 2 3 0 6 7 0	2367F	7	2 0	K L 2 3 0 1 3 0	2313L00	7	5 2
K F 2 3 0 9 1 0	2391F	7	4 7	K L 2 3 0 1 4 0	2314L00	7	3 1
K F 2 3 0 9 2 0	2392F	7	4 6	K L 2 3 0 1 5 0	2315L00	7	1 9
K F 2 3 0 9 3 0	2393F	7	4 8	K L 2 3 0 1 7 0	2317L00	7	3 5
K F 2 4 0 0 3 0	2403F	1 1	2	K L 2 3 0 1 9 0	2319L00	7	4 1
K F 2 4 0 1 8 0	2418F00	1 1	2 0	K L 2 3 0 2 0 0	2320L00	7	4 1
K F 2 4 0 2 0 0	2420F00	1 1	3	K L 2 5 0 0 0 0	2500L00	9	1 4
K F 2 4 0 4 2 0	2442F	1 1	1 3	K L 2 5 0 0 1 0	2501L00	9	1 4
K F 2 4 0 4 5 0	2445F	1 1	5	K L 2 5 0 0 5 0	2505L00	5	5 9
K F 2 4 0 4 6 0	2446F	1 1	1 2	K N 2 3 0 4 1 0	2341N00	5	3 1
K F 2 4 0 4 7 0	2447F	1 1	1 1	K N 2 3 0 4 3 0	2343N00	5	3 3
K F 2 4 0 4 8 0	2448F	1 1	8	K N 5 4 0 5 7 0	5457N00	9	2
K F 2 4 0 4 9 0	2449F	1 1	7	K N 5 4 0 5 8 0	5458N00	9	2
K F 2 4 0 6 1 0	2461F	1 1	1 4	K U 2 4 1 4 0 0	24E0U00	9	1 3
K F 2 4 0 9 3 1	2493F01	9	1 5	M A 2 2 0 5 1 0	2251A	5	4 5
K F 2 5 0 9 0 0	2590F	5	4 2	M A 2 5 0 1 3 1	2513A01	5	4 3
K F 7 3 0 7 9 0	7379F	1 7	2	M T 5 1 0 2 1 0	5121T00	1 3	1 7
K G 2 1 0 9 1 1	2191G01	5	5 6	M V 2 9 3 8 7 0	29387V0	1 7	8
K G 2 3 0 0 2 0	2302G	7	4 4	M Y 2 4 4 6 6 0	29466Y0	3	1 6
K G 2 3 0 6 1 0	2361G	7	1 7	M Y 2 9 4 0 0 0	29400Y0	5	2 3
K G 2 4 1 0 2 0	24A2G	9	1	M Y 2 9 4 0 1 0	29401Y0	5	2 3
K G 2 5 0 0 1 0	2501G	9	1 7	M Y 2 9 4 0 2 0	29402Y0	3	9
K L 2 1 0 1 3 0	2113L00	5	4 7	M Y 2 9 4 0 3 0	29403Y0	1 5	6
K L 2 2 0 0 0 0	2200L00	5	1 6	M Y 2 9 4 0 4 0	29404Y0	1 5	7
K L 2 2 0 0 1 0	2201L00	5	2 4	M Y 2 9 4 0 5 0	29405Y0	1 5	9
K L 2 2 0 0 2 0	2202L00	5	2 9	M Y 2 9 4 0 6 0	29406Y0	1 5	1
K L 2 2 0 0 3 0	2203L00	5	1 5	M Y 2 9 4 0 7 0	29407Y0	1 5	5
K L 2 2 0 0 4 0	2204L00	5	6	M Y 2 9 4 0 8 0	29408Y0	1 5	2 0
K L 2 2 0 0 5 0	2205L00	5	2 1	M Y 2 9 4 0 9 0	29409Y0	1 5	1 5
K L 2 2 0 0 6 0	2206L00	5	2 5	M Y 2 9 4 1 0 0	29410Y0	1 5	1 8
K L 2 2 0 0 7 0	2207L00	5	3 6	M Y 2 9 4 1 1 0	29411Y0	1 5	1 2
K L 2 2 0 0 8 0	2208L00	5	1 2	M Y 2 9 4 1 2 0	29412Y0	1 5	1 3
K L 2 2 0 0 9 0	2209L00	5	4	M Y 2 9 4 1 3 0	29413Y0	1 5	1 7
K L 2 2 0 1 1 0	2211L00	5	3	M Y 2 9 4 1 4 0	29414Y0	1 7	1 5
K L 2 2 0 1 2 0	2212L00	5	4 1	M Y 2 9 4 1 5 0	29415Y0	1 7	1 4

I N D E X

L I S T No.	PART No.	PAGENO.	ITEM	L I S T No.	PART No.	PAGENO.	ITEM
MY 2 9 4 1 6 0	29416Y0	1 7	5	MY 2 9 4 6 3 0	29463Y0	7	6 0
MY 2 9 4 1 7 0	29417Y0	1 7	4	MY 2 9 4 6 4 0	29464Y0	1 9	1 1
MY 2 9 4 1 8 0	29418Y0	1 7	7	MY 2 9 4 6 5 0	29465Y0	1 9	1 3
MY 2 9 4 1 9 0	29419Y0	1 7	6				
MY 2 9 4 2 0 0	29420Y0	1 7	3				
MY 2 9 4 2 1 0	29421Y0	1 7	1 2				
MY 2 9 4 2 2 0	29422Y0	1 7	1 3				
MY 2 9 4 2 3 0	29423Y0	1 7	1 1				
MY 2 9 4 2 4 0	29424Y0	1 7	1 7				
MY 2 9 4 2 6 0	29426Y0	1 3	8				
MY 2 9 4 2 7 0	29427Y0	1 3	1 0				
MY 2 9 4 2 8 0	29428Y0	1 3	1 4				
MY 2 9 4 2 9 0	29429Y0	1 3	7				
MY 2 9 4 3 0 0	29430Y0	1 3	9				
MY 2 9 4 3 1 0	29431Y0	1 3	1 3				
MY 2 9 4 3 2 0	29432Y0	3	1 5				
MY 2 9 4 3 3 0	29433Y0	3	1 1				
MY 2 9 4 3 4 0	29434Y0	3	1 2				
MY 2 9 4 3 5 0	29435Y0	3	1 4				
MY 2 9 4 3 6 0	29436Y0	3	8				
MY 2 9 4 3 7 0	29437Y0	1 3	1 8				
MY 2 9 4 3 8 0	29438Y0	3	2				
MY 2 9 4 3 9 0	29439Y0	3	3				
MY 2 9 4 4 0 0	29440Y0	3	4				
MY 2 9 4 4 1 0	29441Y0	3	5				
MY 2 9 4 4 2 0	29442Y0	1 3	6				
MY 2 9 4 4 3 0	29443Y0	1 3	3				
MY 2 9 4 4 4 0	29444Y0	5	1				
MY 2 9 4 4 5 0	29445Y0	1 3	1				
MY 2 9 4 4 6 0	29446Y0	1 3	4				
MY 2 9 4 4 7 0	29447Y0	1 3	5				
MY 2 9 4 4 8 0	29448Y0	1 3	2 1				
MY 2 9 4 4 9 0	29449Y0	1 3	2 0				
MY 2 9 4 5 0 0	29450Y0	1 3	1 9				
MY 2 9 4 5 1 0	29451Y0	7	5 5				
MY 2 9 4 5 2 0	29452Y0	7	5 6				
MY 2 9 4 5 3 0	29453Y0	3	1				
MY 2 9 4 5 4 0	29454Y0	3	1 0				
MY 2 9 4 5 5 0	29455Y0	7	5 7				
MY 2 9 4 5 6 0	29456Y0	7	5 8				
MY 2 9 4 5 8 0	29458Y0	3	6				
MY 2 9 4 5 9 0	29459Y0	1 7	1				
MY 2 9 4 6 0 0	29460Y0	5	7				
MY 2 9 4 6 1 0	29461Y0	7	5 4				
MY 2 9 4 6 2 0	29462Y0	7	6 0				